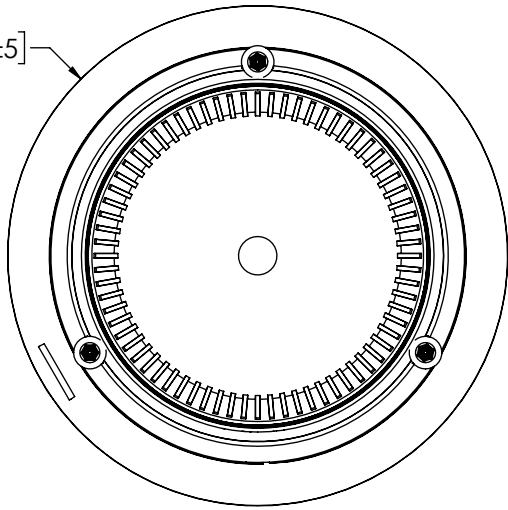
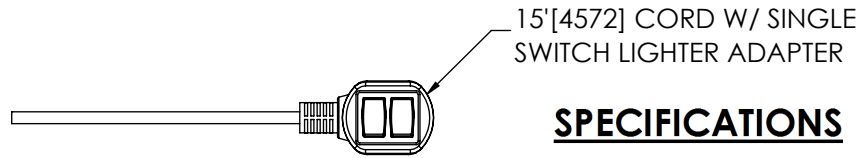
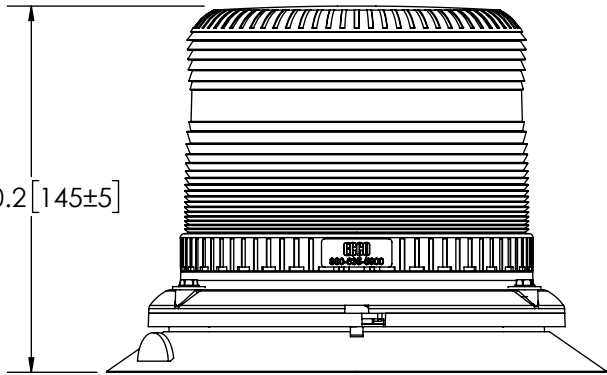


Ø 7.8±0.2 [198±5]



5.7±0.2 [145±5]



15'[4572] CORD W/ SINGLE SWITCH LIGHTER ADAPTER

SPECIFICATIONS

1. CERTIFICATIONS: **CE**; ECE R10; SAE J845 (JUN 2013) CLASS 2; YELLOW;
 Note: Unique components, accessories, and hardware kits are not typically included in the Product Certification Test Protocols. Unless otherwise Specified, the Product Certifications referred to herein are predicated upon the base product model configuration.
2. FLASH MODE: Single : 60 ± 5 FLASHES PER MINUTE
 Single : 120 ± 5 FLASHES PER MINUTE
 Double : 80 ± 5 FLASHES PER MINUTE
3. VOLTAGE (NOMINAL): 12-24 VDC
4. VOLTAGE (EXTREME): 9-32 VDC
5. CURRENT (PEAK): 1.3A (@ 12 VDC NOMINAL)
6. POWER (MAXIMUM): 16.0W (@ 12 VDC NOMINAL)
7. TEMPERATURE RANGE: -22°F (-30°C) TO 122°F (50°C)
8. CONNECTION: 2 COND CABLE W/LIGHTER ADAPTER PLUG
9. MOUNTING: VACUUM/MAGNET MOUNT
10. BASE MATERIAL: REINFORCED POLYPROPYLENE
11. LENS MATERIAL: POLYCARBONATE
12. PRODUCT WEIGHT: 2.3 LBS (1.04 Kg)

REVISION HISTORY		
REV.	DESCRIPTION	DATE
02	REVISED PER P11007	2012-04-19
A	INITIAL RELEASE PER P11007	2012-04-27
B	REVISE PER EC4573	2017-07-07

FGS PRODUCT CHART		
FGS. NO.	COLOR	SAE J845
7945A-VM	AMBER	CLASS 2
7945B-VM	BLUE	CLASS 3
7945C-VM	CLEAR	CLASS 2
7945G-VM	GREEN	N/A
7945R-VM	RED	N/A

NOTES:
 1. DIMENSIONS IN INCHES [MILLIMETERS (FOR REFERENCE)]

SCALE 1:3		APPROVALS	DATE
CAD GENERATED DRAWING DO NOT MANUALLY UPDATE. MODEL REFERENCED: B		DRAWN BY	2017-06-30
		CHECKED ABB	2017-07-05
TOLERANCES ARE IN INCHES, AND MILLIMETERS TOLERANCES UNLESS OTHERWISE STATED ARE:		MECH. ENG.	NMT 2017-06-30
		ELEC. ENG.	
MILLIMETERS DECIMALS XX. ± 1.0mm XX.X ± 0.5mm		INCHES DECIMALS X.X ± 0.1 X.XX ± 0.04 X.XXX ± 0.02	
		ANGLES ± 0.5° FRACTIONS ± 1/64	
THIRD ANGLE PROJECTION		TEST ENG.	JRT 2017-07-06
		SALES	

ECCO® www.eccolink.com

Americas (800) 635-5900 | Europe +44 (0)113 237 5340 | Asia Pacific +61 (0)3 63322444

LED BEACON, 360°, 12-24VDC, VAC MNT

CUSTOMER PART NO. SEE CHART		PRODUCT SERIES: 7900
SIZE: A	DWG. NO. 7945X-VM	REV. B
Electronically Controlled Use Latest Copy		Project: P11007 Date Created: 2012-04-16

THIS DRAWING AND THE DESIGN IT DISCLOSES ARE THE PRIVATE PROPERTY OF ELECTRONIC CONTROLS CO. AND IS ISSUED IN CONFIDENCE FOR ENGINEERING INFORMATION ONLY. THE DRAWING AND / OR DESIGN MAY NOT BE USED, COPIED, REPRODUCED, OR OTHERWISE DISCLOSED IN PART OR AS A WHOLE TO OUTSIDERS OR USED FOR ANY OTHER PURPOSE WITHOUT THE PRIOR WRITTEN CONSENT OF ELECTRONIC CONTROLS CO. THE DRAWING IS SUBJECT TO RECALL AT ANY TIME. YOUR POSSESSION OF THIS DOCUMENT CONSTITUTES ACCEPTANCE OF THESE TERMS. © 2012 ELECTRONIC CONTROLS CO.